

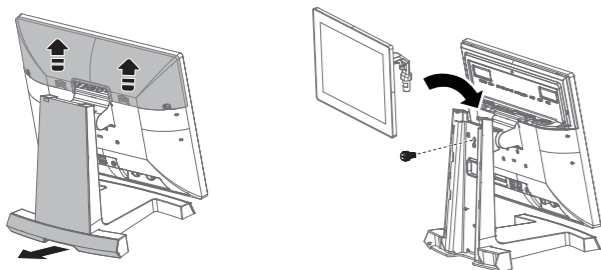
Installation Options

2nd Display

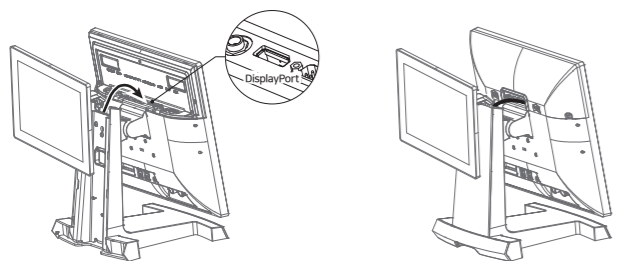


⚠ Please turn it on after connecting all the option items.

- 1 Please disassemble I/O cover and stand rear cover.
- 2 Please strongly tighten the plastic bolt at the rear side of stand after inserting the round-edge part of 2nd display cradle to the hole between POS system and stand.

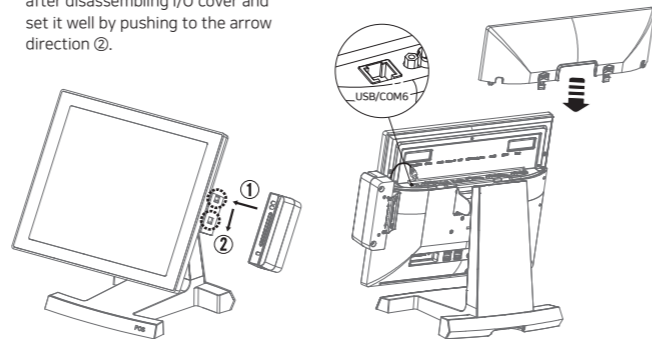


- 3 Please insert cable into display port out of I/O ports.
- 4 Please assemble I/O cover and stand rear cover.



Cardreader

- 1 Please insert Cardreader at the groove in monitor to the arrow direction ① after disassembling I/O cover and set it well by pushing to the arrow direction ②.
- 2 Please close I/O cover after inserting the cable into COM6/USB port of I/O ports.

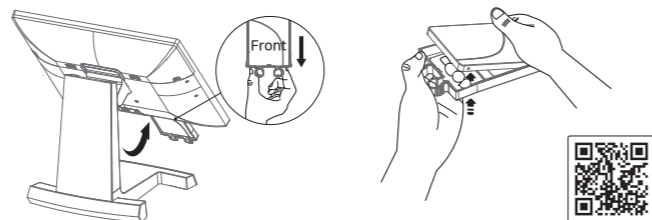


SSD Replacement

⚠ Please turn the power off after finishing SSD replacement.

- 1 Please push the monitor up and pull out the SSD in Disk Tray by holding handle of Disk Tray.
- 2 When SSD is replaced, please separate SSD by pushing it up thru the hole of Tray.

※ Please be cautious on direction when it is assembled.



Specifications

Model	S-200P	J-200P
System		
Processor	Intel® Core™ i3, i5, i7 Processors	Intel® Celeron™ Quad-core Processors J1900 2.0GHz
Chipset/BIOS	Intel® Kaby Lake SoC / AMI	Intel® Bay Trail SoC / AMI
Storage	2.5" SSD 64GB/SSD 128GB/HDD 500GB, Optional)	
Memory	4GB, DDR4 2133MHz x 2 slot (Max 32GB, Optional)	2GB, DDR3L 1600MHz x 1 Slot (Max 8GB, Optional)
Graphics	Intel® HD Graphics 520 / Intel® HD Graphics 620	Intel® HD Graphics
Expansion Slot	1 x mini PCI-e	
Multi Mointor	3(# of Displays Supported)	2(# of Displays Supported)
OS	Windows 10 IoT Value/High End, POSReady 7	POS Ready 7, Windows 10 IoT Entry
Display & Touch		
Display Type	15" LCD with WLED backlight(1024 x 768 resolution)	
Touch	True-Flat Capacitive 10 Point Multi-Touch	
I/O interfaces(Rear Top & Bottom Ports)		
USB	6(2 x USB 3.0 Rear Top, 4 x USB 3.0 Rear Bottom) 6 x USB 2.0(Rear Top x 2, Rear Bottom x 4)	
Serial	6(DB9 x 3, RJ50(RJ45) x 2, RJ11 x 1) COM1, 3, 5(DB9): +5V on Pin #9, Selectable by BIOS COM2, 4 (RJ50, RJ45): Support +5V and 12V for Special Devices and can be used for Kitchen Printer COM6(RJ11): USB 2.0 and RS232 with +5V/1A for Card Reader	
LPT(Parallel)	1(LPT / DB25 on Rear Bottom)	
Audio	1 x Audio-out / 3.5mm(Changeable for MIC)	
Display Port	1 x DisplayPort(Included 1 x USB 2.0 / Power Delivery +12V) * Can be used for HDMI and DVI, VGA Monitor by Converter Cable.	
LAN	1 x RJ45(Base-T 10/100/1000 Ethernet)	
Peripheral Options		
2nd Display	Display Type: 9.7"(1024 x 768 Resolution) Touch Display Type: 9.7" LCD with Capacitive Touch and support 1 x USB 2.0 Port	
DisplayPort	* P2C Display Functions: Supported Multi Display Function by DP MST Hub/Supported Standard HDMI, DVI, DP by each Cable	
Customer Display(CDP)	VFD Type(Alphabet & Numeric, 20 Characters x 2 Lines)	
Card Reader	Smart Card Reader: ISO/IEC7816 EMV Level 1 Magnetic Stripe Reader: ISO 7811 ID-1 All Tracks * Interface: USB(HID) and RS232C(COM6)	
Dallas Reader	Dallas Reader(-button): 6 Characters/Prefix and Suffix * Interface: USB(HID) and RS232C(COM6)	
Physical Dimension		
Dimension(W x D x H)	362mm x 237mm x 333mm	
Weight	5.3 Kg	
Environment		
Power Supply	DC 12V/5A (AC 100V~240V, 60W)	
Temperature	Operating: 0~50°C at 10% to 90% Humidity	
Certifications	CE, CB, FCC, KC	

⚠ This manual is provided for informational purposes only, under copyright laws, reproduction, distribution is prohibited. The contents of this manual are subject to change without prior notice.

POS Hardware Brand **P2C** | POS Software Brand **UP SOLUTION**

#609, 115, Gasan digital 2-ro, Geumcheon-gu, Seoul, 08505, Republic of Korea
Tel. +82-70-4469-3781 Fax. +82-2-2107-3364 e-mail. sales@p2c.co.kr website. www.p2c.co.kr

Installation Guide

S-200P | J-200P
All in One POS System



Safety Precautions

Be sure to read the Safety Precautions before using the POS system.

- Before connecting, make sure the operating voltage is AC100 ~ 240V. Otherwise, you may damage the system.
- Do not install the system in an extremely hot or cold place.
- Avoid exposing the product in direct sunlight or in an enclosed space for a long period of time.
- Be careful not to place the system near other high-frequency electromagnetic devices; there is a strong possibility it will lead to a system malfunction or system error.
- Do not place heavy objects on the system.
- Prevent external substances from entering the system.
- Do not change the motherboard's battery by yourself. It can damage the system.
- Before disassembling the system, disconnect all power and cables.
- Do not remove or repair the system by yourself. We highly recommend an engineer's assistance or an experienced technician to open the system, especially the LCD and touch panels which could be easily broken.
- An electrical outlet is needed near the device and it should be easily accessible.
- Risk of explosion if battery is replaced by an incorrect type.
- Replace only with the same type of batteries recommended by the manufacturer.
- This device complies with the EMC (Electromagnetic Compatibility) Regulations, for business purposes. Distributors and users are advised of this matter.
- Do not use excessive force when using or pressing the touch panel.
- Do not use objects with sharp edges on the touch panel.
- Please exchange the equipment if you mistakenly sold or purchased this product.
- Cleaning and Maintenance is relevantly necessary for POS terminal to be operated well.

▲ POS Terminal Security Guideline

Operating System Security

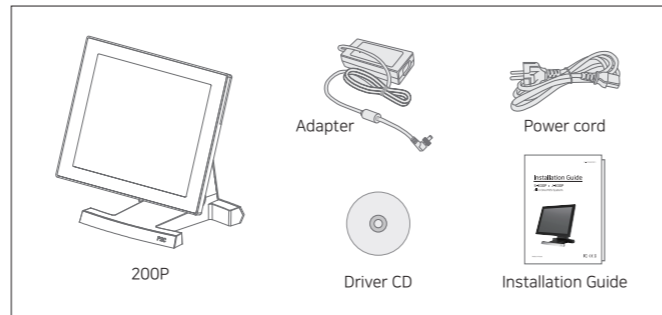
System-provided and managed by the operating system's default security settings must be configured.

▲ Touch Screen Security Guideline

Please take special care with the touch panel as it is vulnerable to scratches.

- Do not use excessive force when using or pressing the touch panel. Do not use objects with sharp edges on the touch panel.
- Be careful not to spill any liquid on the screen.
- Turn off the power switch and unplug all cables before cleaning the screen and/or the system.
- Use a soft, clean, dry cloth for cleaning the system, and do not use chemicals or detergents.

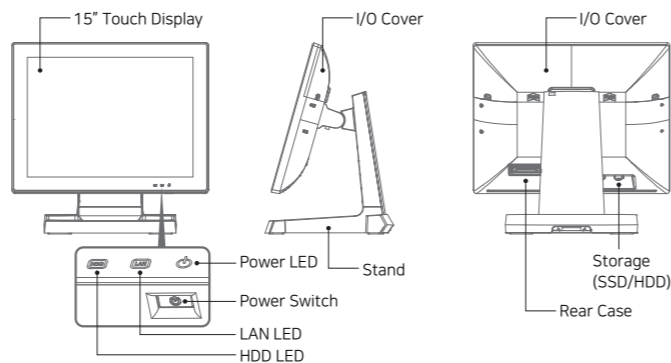
Package Contents



* Component images are for reference only and may vary by model and option.

Name and Function of each part

Front/Side/Rear view

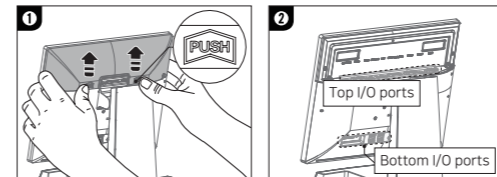


I/O Ports

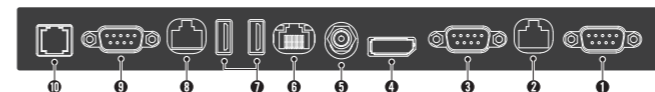
I/O Cover Disassemble

▲ Please proceed I/O ports connection after powering off the system.

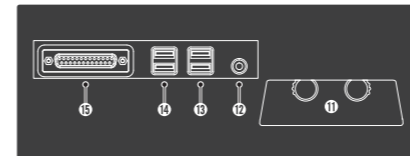
- 1 I/O cover will be disassembled by pushing the "PUSH" part of both sides.
- 2 Please connect the I/O ports after checking the locations of top I/O and bottom I/O ports.



Top I/O ports



Bottom I/O ports



RJ45 Pin Map Assignments

Signal Name	PJ45
DCD	1
DSR	2
TXD	3
RXD	4
RTS	5
CTS	6
GND	7
DTR	8

1 - 3 : RJ45
1 - 10 : RJ50

※ I/O ports can be changed based on models/specifications/options.

→ From the RJ45 port supply to power connector used by RJ50 plug. Should you need further details, please visit our website at www.p2c.co.kr

Description

1 Serial(DB9) - COM1	6 LAN	11 SSD/HDD
2 Serial(RJ45/RJ50) - COM2	7 USB 1/2	12 Audio
3 Serial(DB9) - COM3	8 Serial(RJ45/RJ50) - COM4	13 USB 3/4
4 DisplayPort	9 Serial(DB9) - COM5	14 USB 5/6
5 DC 12V	10 Card Reader(RJ11) - USB/COM6	15 LPT

System Connection and Power on

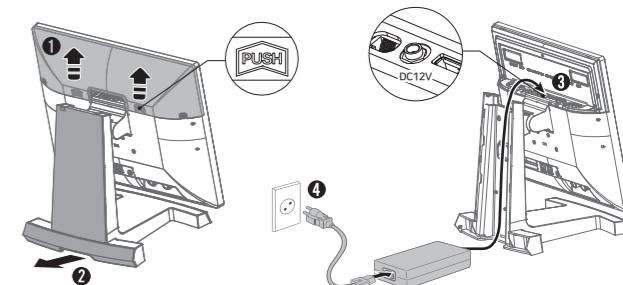
Please install the system referring to video clip thru QR code written in manual.

Power Cord Connection



▲ Please connect power addptor DC jack and power cord by turns after all option items are connected.

- 1 I/O cover will be disassembled by pushing the "PUSH" part of both sides.
- 2 Please disassemble it by pushing up stand rear case.
- 3 Please insert power adaptor cable by turning it into DC 12V port at upper I/O ports.
- 4 Please connect power cord after assembling it in a reverse way of disassemble.



Power on

▲ Please turn the power on after installing all optional items.

Connect adapter and body rst before connecting power cord to a 220V (110V) outlet. Power supply is located on the lower right side of the monitor. When power is connected, the LED will light up. Each LED lamp will indicate the operation status.

- 1 HDD LED: Operation mode (GREEN)
- 2 LAN LED: LAN Connection (ORANGE)
- 3 Power LED: Power Connection (BLUE)
- 4 Power Switch

